

# SMARTYMAX



The **SMARTY MAX™** combines high output and long lamp life in a feature packed compact and lightweight Hybrid fixture. SMARTY MAX is the Extreme Output Hybrid featuring the new Philips MSD Platinum FLEX 400 lamp and Elation's 2 year / 4,000 hours Ultimate Warranty.\*\* Rated at 480W and up to 4,000 hours smart lamp life the SMARTY MAX includes CMY and variable CTO and is the world's first Hybrid incorporating a full Iris for dynamic beam effects. Four prisms on two planes, dual frosts plus dual gobo wheel and the unique dual track animation round out the comprehensive FX package in a compact and lightweight housing. Delivering 21,000 lumens from its large 160mm front aperture, the SMARTY MAX has a crisp output for extremely powerful beams, sharp gobos and bright washes, making it a flexible fixture for almost any application, while providing an excellent return on investment.

## FEATURES

**Extreme Output 3-in-1 Beam, Spot, Wash Hybrid Fixture**

**Flex Lamp Technology from 370 to 480W**

**Smart Hibernation with up to 4,000 Hour Lamp Life**

**Ultra-Fast Zoom: Beam 1.5° - 6° | Spot 3° - 26.5° | Wash 12° - 39°**

**Full CMY Color Mixing System, Variable CTO, Color Wheel**

**8 Rotating and 15 Static Gobos and Dual Track Animation**

**4x Prisms on Dual Planes, 2x Frost Filters, and Iris**

**Ultimate Warranty\*\* - Comprehensive 2 Years / 4,000 Hours**

**\*\*First 2 Years of operation or 4,000 hours of use, whichever comes first, based on regular fixture/lamp maintenance.**



Specifications are subject to change without notice ©Elation Professional 10/07/19

Elation Professional USA | 6122 S. Eastern Ave. | Los Angeles, CA. 90040  
323-582-3322 | 323-832-9142 fax | www.elationlighting.com | info@elationlighting.com

Elation Professional B.V. | Junostraat 2 | 6468 EW Kerkrade, The Netherlands  
+31 45 546 85 66 | +31 45 546 85 96 fax | www.elationlighting.eu | info@elationlighting.eu

**SPECIFICATIONS**

**SOURCE**

Philips MSD Platinum 400L Flex 480W Lamp  
Up To 4,000 Hours Lamp Life\*

\*Test lab conditions. May vary depending on several factors including but not limited to:  
Environmental Conditions, Power/Voltage, Usage Patterns (On-Off Cycling), Control, Dimming, and Lamp Mode.

**PHOTOMETRIC DATA**

21,000+ Total Lumen Output  
198,272 LUX 18,420 FC @49.2' (15m) (Min Zoom Beam)  
462,508 LUX 42,968 FC @16.4' (5m) (Min Zoom Spot)  
23,237 LUX 2,345 FC @16.4' (5m) (Min Zoom Wash)

**EFFECTS**

Beam, Spot, and Wash Modes  
Motorized Zoom and Iris  
Dual Frost Filter for Light Frost / Full Wash Effects  
4 Prisms on Dual Panes  
CMY Color, Gobo, and Prism Macros  
Motorized Focus with Auto-Focus Feature  
High Speed Shutter and Strobe

**COLOR**

Full CMY Color Mixing System  
Variable CTO  
13 Colors including UV, CTB, and CTO

**GOBOS**

2 Gobo Wheels  
8 Interchangeable-Rotating / Indexing Glass Gobos  
14 Static-Stamped Metal Gobos

**CONTROL / CONNECTIONS**

2 DMX Channel Modes (27 / 44 channels)  
6 Button Menu Control Panel  
Full Color 180° Reversible LCD Menu Display  
DMX, RDM, Art-NET, and sACN Protocol Support  
Hibernation Mode (Power Save)  
5pin DMX and RJ45 Ethernet In/Out  
Neutrik powerCON TRUE1 Power In

**SIZE / WEIGHT**

Length: 15.34" (389.8mm)  
Width: 17.53" (445.3mm)  
Vertical Height: 25.27" (642mm)  
Weight: 60.0 lbs. (27.2 kg)

**ELECTRICAL / THERMAL**

AC 100-240V - 50/60Hz  
700W Max Power Consumption  
14°F to 113°F (-10°C to 45°C)

**APPROVALS / RATINGS**

CE | cETLus | FCC | IP20

**COLORS, GOBOS, ANIMATION**

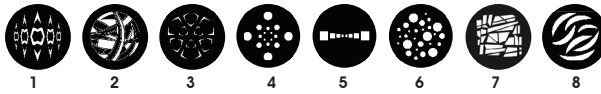
**COLOR WHEEL**

Red, Green, Yellow, Purple, Cyan, Orange, Magenta, LightGreen, Pink,  
UV Filter, CTB, and CTO

**COLOR FLAGS**

Cyan, Yellow, Magenta

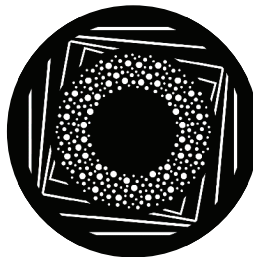
**INTERCHANGEABLE-ROTATING GLASS GOBO WHEEL 1**



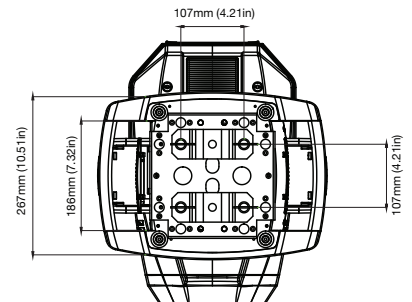
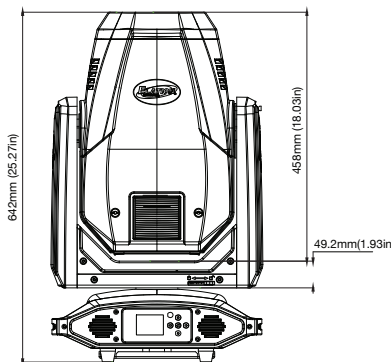
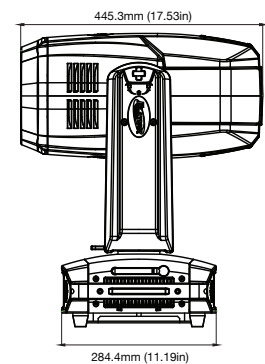
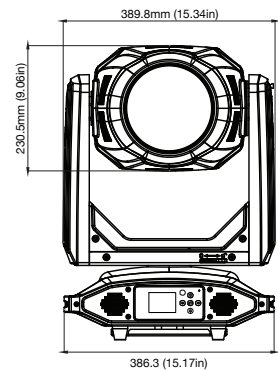
**STATIC-FIXED METAL GOBO WHEEL 2**



**BI-DIRECTIONAL ANIMATION WHEEL**



**DIMENSIONAL DIAGRAMS**



**ORDERING INFORMATION**

<b>ESM166</b>	SMARTY MAX
<b>TRIGGER CLAMP</b>	Heavy Duty Wrap Around Hook Style Clamp
<b>DRCPRO004</b>	Road Case For SMARTY MAX
<b>AC5PDMX5PRO</b>	5 ft. (1.5m) 5pin PRO DMX Cable
<b>NEU088</b>	3 ft. (1m) Power Link Cable
<b>CAT6PRO5</b>	5 ft. (1.5m) CAT6 EtherCON Cable
<b>ZB-MSD PLATINUM 400L FLEX</b>	Philips MSD Platinum 400 Flex Lamp

Specifications are subject to change without notice ©Elation Professional 10/07/19



Elation Professional USA | 6122 S. Eastern Ave. | Los Angeles, CA. 90040  
323-582-3322 | 323-832-9142 fax | www.elationlighting.com | info@elationlighting.com

Elation Professional B.V. | Junostraat 2 | 6468 EW Kerkrade, The Netherlands  
+31 45 546 85 66 | +31 45 546 85 96 fax | www.elationlighting.eu | info@elationlighting.eu