

VOLT+ PAR S



30W RGBMA+UV LED Battery Par

DATA SHEET



KEY FEATURES

60W RGBLA+UV LED

3600 Total Fixture Lumen Output (Sphere)

90.9 CRI

15° Beam Angle, Diffusion Lens Included

Removable Snoot Included

>12hr Maximum Battery Run Time

IP65 Rated

Introducing the **VOLT+ PAR L**, a next-generation replacement fixture in Elation's popular VOLT Series that delivers the ultimate in battery-powered lighting performance with enhanced efficiency, versatility, and durability in a sleek form factor.

Designed as a direct upgrade for previous VOLT models, the **VOLT+ PAR L** features cutting-edge RGB+Lime+Amber+UV LED technology, providing superior color mixing, increased output, and exceptional color rendering with a high CRI. Its fully homogenized beam ensures smooth, even coverage with no color separation, making it ideal for both wash and direct-view applications. The fixture's sleek design with integrated power and DMX connectors make wire free, or wired setups a breeze.

Built with an IP65-rated housing and a rugged construction, the **VOLT+ PAR L** is ready for any environment, indoors or outdoors, making it the perfect solution for productions, installations, and events where mobility and reliability are key.

For added convenience and extended wireless runtime, the **VOLT+ PAR L** offers an optional external battery, giving users the flexibility to keep their designs untethered for even longer durations.

Whether used as a wash light, uplight, accent fixture, or direct-view pixel effect, the **VOLT+ PAR L** delivers exceptional flexibility with numerous wireless control options, including an IR Remote, Prebuilt & Custom Standalone Effect Sequences, proprietary Aria x2 wireless device management and NFC Configuration.

With its advanced technology, effortless portability, and expanded accessory options, the **VOLT+ PAR L** is the ultimate choice for lighting professionals who demand uncompromising performance and adaptability.



VOLT+ PAR S



30W RGBMA+UV LED Battery Par

SPECIFICATIONS

SOURCE

60W RGBLA+ UV LED
30,000 Hour Average LED Life*

*May vary depending on several factors including but not limited to: Environmental Conditions, Power/Voltage, Usage Patterns (On-Off Cycling), Control and Dimming.

PHOTOMETRIC DATA

Total Lumen Output:
3,600 (Integrating Sphere)
CRI- 90.9
TLCI- 80
Beam Angle: 15°
Field Angle: 28°

EFFECTS

Prebuilt & Custom Standalone Effect Sequences
Electronic Dimmer and Strobe
Variable 16-bit Dimming Modes and Curves

COLOR

RGBLA+ UV Color Array
CMY Emulation
Variable CCT 2400K - 8500K
Virtual Gel Swatch Book

CONTROL / CONNECTIONS

8 DMX Channel Modes (1ch, 3ch, 6ch, 9ch, 11ch, 14ch, 14ch, 20ch)
4 Button Control Panel, LED Display
Aria x2 Wireless Device Management
IR Remote
NFC Configuration
5pin DMX and IP65 Locking Power Cable In/Out

SIZE / WEIGHT

Length: 8.11" (206 mm)
Width: 8.11" (206mm)
Vertical Height (with Snoot): 9.28" (235.7mm)
Vertical Height (without Snoot): 7.08" (180mm)
Weight: 15.1lbs (6.85kg)

ELECTRICAL / THERMAL

AC 100-240V - 50/60Hz
70W Max Power Consumption
5°F to 113°F (-15°C to 45°C)
BTU/hr (+/- 10%) 238.7

BATTERY

Lithium Ion Rechargeable
Battery Capacity: 19.2Ah
Battery Voltage: 18V
Charge Time: 4.5hr
Battery Life: >12hr
Battery Recharge Cycles: >300 to 80% Capacity

INCLUDED ITEMS

Diffusion Filter
Concentric Ring
Removable Half Snoot

OPTIONAL ITEMS

VOLT+ IR REMOTE (VOL555)
VOLT+ PAR L YOKE (VOL359)
VOLT+ PAR L LENS KIT (VOL345)
VOLT+ PAR BATTERY BASE (VOL402)
VOLT+ PAR STAND ADAPTER
VOLT+ PAR L 6-PACK (VOL302)

APPROVALS / RATINGS

CE | cETLus | IP65 | FCC | UKCA

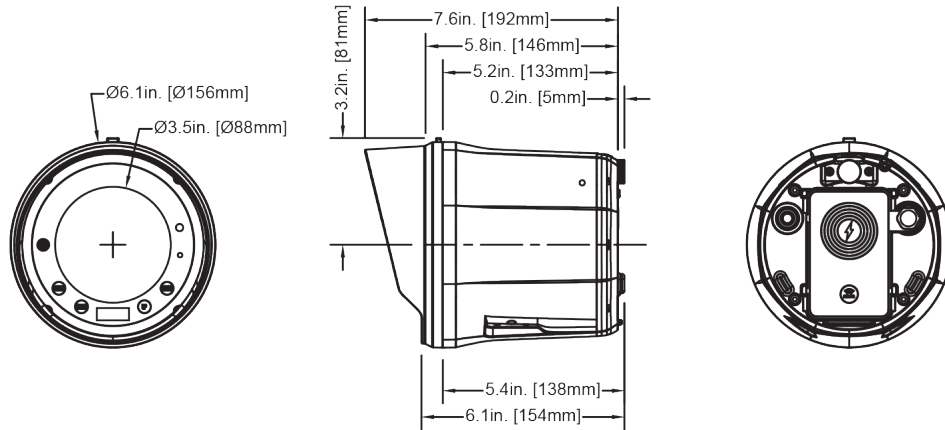


VOLT+ PAR S

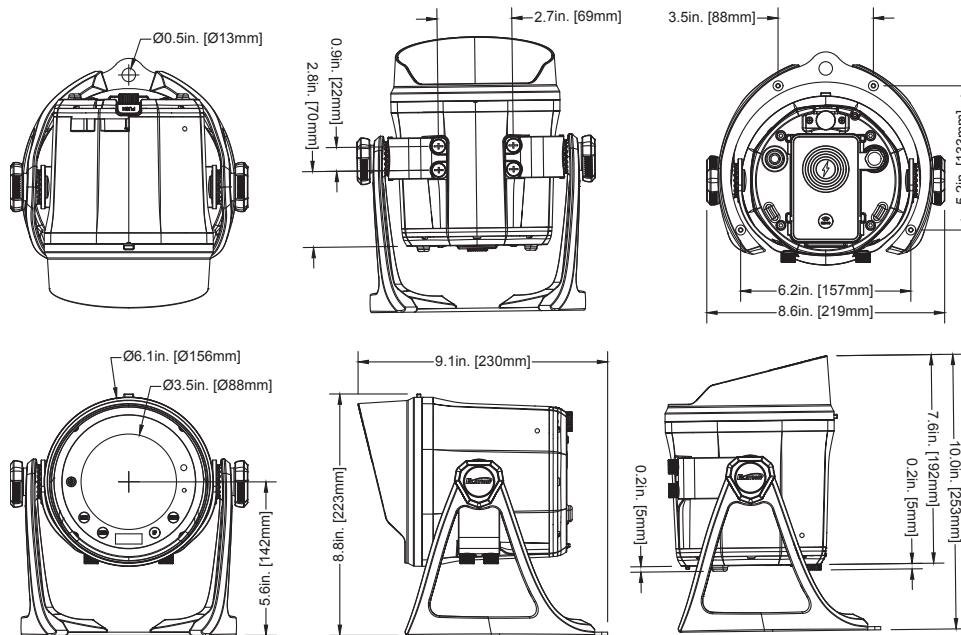


30W RGBMA+UV LED Battery Par

UNIT DIMENSIONS



Volt+ Par S Yoke as shown here is sold separately.



ORDERING INFORMATION

SKU (US)	SKU (EU)	DESCRIPTION
VOL214	1237000391	VOLT+ PAR S
VOL555	PENDING	VOLT+ IR REMOTE
VOL231	1237000388	VOLT+ PAR S YOKE
VOL256	1237000418	VOLT+ PAR S LENS KIT
VOL243	1237000415	VOLT+ PAR S BOWENS ADAPTER
VOL228	1237000387	VOLT+ PAR S CONNECTOR BASE
VOL402	1237000390	VOLT+ PAR BATTERY BASE
VOL242	PENDING	VOLT+ PAR S Base Pack
VOL201	1237000420	VOLT+ PAR S 6-PACK

