

**KEY FEATURES**

- 180W RGBMA LED Array
- Ultra-efficient asymmetrical reflector design
- Replaceable Lens
- Fanless heat management
- Low profile housing
- Up to 4 control segments
- EdgeLight safety feature
- Magnetic fixture alignment
- Flicker Free Operation for TV and FILM
- RDM (Remote Device Management)
- DMX, Art-net and sACN support
- Power and Data passthrough



The **KL CYC L** is the perfect fixture for smooth and evenly illuminated cyclorama, set or wall washing application. It utilizes a carefully crafted asymmetrical reflector design to achieve perfect blends while covering significant heights with ease.

Designed with an incredibly low profile housing the **KL CYC L** is also the ideal choice for footlight positions, providing excellent versatility for stage, film, television and event lighting use.

Seamless magnetic alignment, simple mounting bracket attachment and elegant power and data wire management make the KL CYC a breeze to integrate into new designs or upgrade traditional CYC fixtures or foot lights to a modern LED fixture without compromises. The fanless design ensures the fixture is always a perfectly silent performer. Adjustable front feet allow for angle changes when floor mounted. The top and bottom barndoors allow for a perfect framing of the light output along the surface or to avoid overshoot in footlight applications.

The **KL CYC L** features Elation's proven RGBMA color system, allowing a perfect color match to many other fixtures in the KL and Fuze ranges. Calibrated color temperature control, greenshift adjustment and the CMY and RGB emulation modes provide the designer with powerful control to recall any color in up to two separate segments.

The newly developed EdgeLight feature allows the user to designate a safety light in red or blue to turn on whenever desired, or if DMX signal is lost. This new feature provides a guide for performers on stage to where the edge of the stage is located.

The **KL CYC L** is the ideal solution for Touring Applications, Theme Parks, Live Events, Theater or Houses of Worship.



1 Meter RGBMA LED CYC Light and Footlight Fixture

SPECIFICATIONS

SOURCE

180W RGBMA LED Array

30,000 Hour Average LED Life*

*May vary depending on several factors including but not limited to:
Environmental Conditions, Power/Voltage, Usage Patterns (On-Off Cycling),
Control and Dimming.

PHOTOMETRIC DATA

6300+ Total Lumen Output

CRI 92

TLCI 95

EFFECTS

EdgeLight Safety Feature

Electronic Dimmer and Strobe

Variable 16-bit Dimming Modes and Curves

COLOR

RGBMA Color Array

Up to Four Control Segments

CMY, RGB Emulation

Variable CCT 2,400K - 8,500K

Green/Magenta Shift

Virtual Gel Swatch Book

CONTROL / CONNECTIONS

11 DMX Channel Modes (1ch, 4ch, 4ch, 4ch,
11ch, 12ch, 13ch, 16ch, 19ch, 20ch, 31ch,
32ch, 56ch)

4 Button Control Panel, LED Display

RDM (Remote Device Management)

5pin DMX In/Out

RJ45 Locking Ethernet In/Out

IP65 Locking Power Cable In/Out

SIZE / WEIGHT

Length: 39.37" (1000mm)

Width: 7.8" (198mm)

Height: 3.35" (85mm)

Weight: 16lb (7.3kg)

ELECTRICAL / THERMAL

AC 100-240V - 50/60Hz

196W Max Power Consumption

5°F to 113°F (-15°C to 45°C)

INCLUDED ITEMS

2x Omega Bracket

1x Frost Filter

1x Barndoor

IP65 Locking Power Cable

APPROVALS / RATINGS

CE | cETLus(pend) | UL | FCC | UKCA



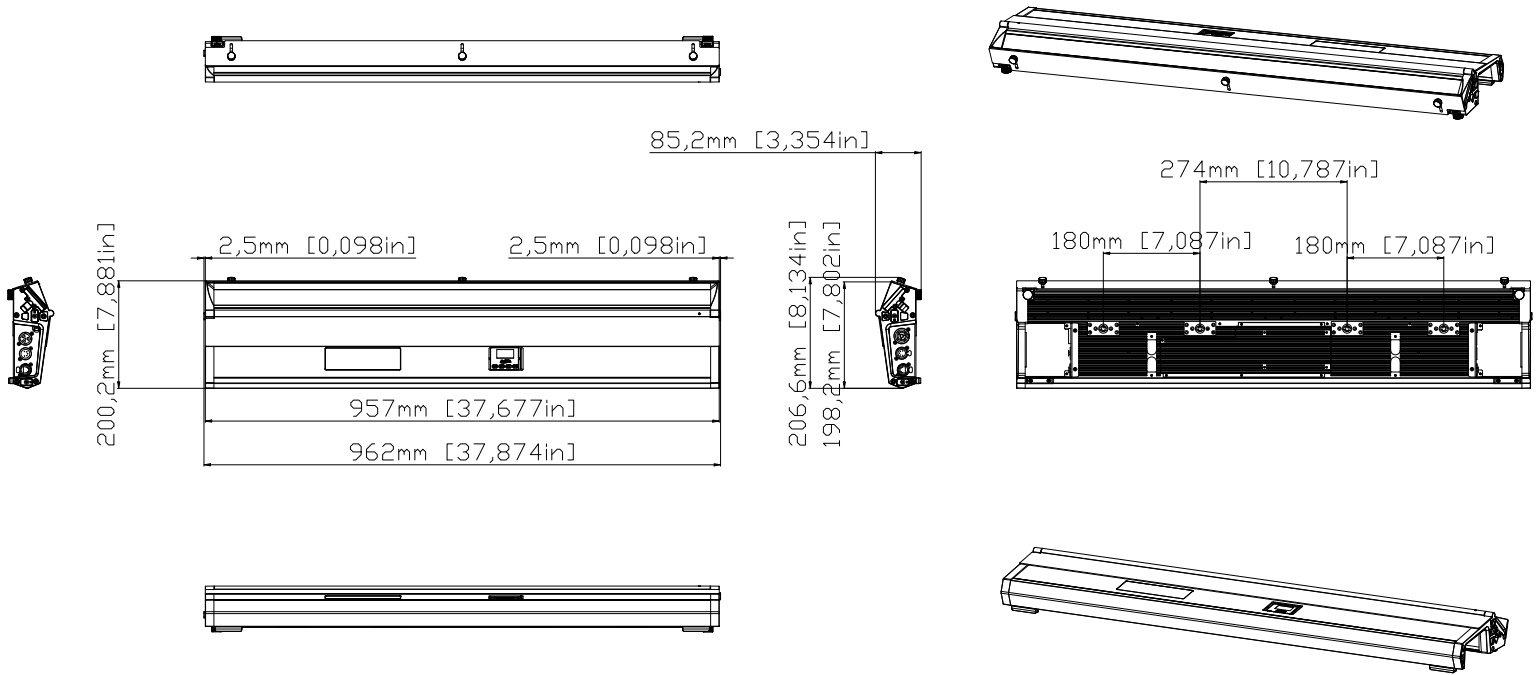
Specifications and documentation subject to change without notice.





1 Meter RGBMA LED CYC Light and Footlight Fixture

UNIT DIMENSIONS



ORDERING INFORMATION

KLC013	1237000281	KL CYC L
TRIGGER CLAMP	N/A	Heavy Duty Wrap Around Hook Style Clamp
PDJ010	PENDING	14 AWG Power/ 2 Pair, 5pin DMX Combo Jumper Cable

