



PROTEUS HYBRID

IP65 3-in-1 Hybrid Moving Head



DATA SHEET



KEY FEATURES

- IP65 Rated 3-in-1 Hybrid Beam, Spot, Wash Luminaire
- Philips™ MSD 21R 470W CRI 80 8,000K Lamp and Advanced Optics
- Motorized Zoom, Beam and Spot Modes
- Advanced Internal Thermal Cooling System
- Full CMY Color Mixing and Linear CTO Color Correction
- 14 Dichroic Colors Including CTB, CTO, and UV
- 8 Rotating Interchangeable and 14 Static-Stamped Metal Gobos
- Full 360° Bi-Directional Animation Wheel
- Rotating 8-Facet and Linear Prisms and Frost Filter
- Motorized Focus and Auto-Focus
- High Speed Mechanical Shutter and Strobe
- DMX, RDM, Art-NET, and sACN Protocol Support

PROTEUS HYBRID™ is an IP65 rated 3-in-1 hybrid moving head beam, spot, and wash luminaire with the Philips™ MSD Platinum 21R 470W 80 CRI 8,000K lamp producing up to 14,000 lumens. Features include an advanced optical system with motorized zoom from 2° in beam mode to 38° in spot mode or 40° in wash mode, an advanced internal thermal cooling system, full CMY and linear CTO color mixing, 14 dichroic colors including CTB, CTO, and UV, 8 rotating glass interchangeable and 14 static-stamped metal gobos, full 360° bi-directional animation wheel, 8-facet and linear rotating prisms and frost filter, motorized focus and auto-focus, high speed mechanical shutter and strobe, DMX, RDM (Remote Device Management), Art-NET, and sACN protocol support, Elation's E-FLY™ internal wireless DMX transceiver, IP rated 5pin XLR and RJ45 ethernet in/out connections, IP65 Locking Power Cable in, full color 180° reversible menu display with 6 button touch control panel, battery backup for display power, and a multi-voltage universal auto switching power supply (100-240v).



PROTEUS HYBRID

IP65 3-in-1 Hybrid Moving Head



SPECIFICATIONS

SOURCE

Philips MSD 21R 470W 8,000K Lamp
1,000 Hour Average LAMP Life*
*LAMP Life may vary depending on several factors including but not limited to:
Environmental Conditions, Power/Voltage, Usage Patterns (On-Off Cycling), Control, and Dimming.

PHOTOMETRIC DATA

CRI 80 | >14,000 Lumens
13,375 LUX 1,243 FC @49.2' (15m) (3.0° Spot)
233,000 LUX 21,646 FC @49.2' (15m) (2.0° Beam)
11,500 LUX 1,068 FC @16.4' (15m) (4.0° Wash)
Zoom Range
Beam 2.1° - 21.5°
Spot: 2.8° - 28.6°
Wash: 4° - 31.2°

EFFECTS

Full 360° Bi-Directional Animation Wheel
Rotating Prisms and Prism Macros
Frost Filter Hybrid Wash Effect
Motorized Focus and Auto-Focus
High Speed Mechanical Shutter and Strobe
Pan Angle: 540°/630°
Tilt Angle: 265°

COLOR

14 Dichroic Colors Including CTB, CTO, and UV
Full CMY Color Mixing and Linear CTO Color Correction

GOBOS

8 Interchangeable Rotating / Indexing Glass Gobos
14 Static-Stamped Metal Gobos

CONTROL / CONNECTIONS

(3) DMX Channel Modes (24 / 26 / 37)
6 Button Touch Control Panel
Full Color 180° Reversible LCD Menu Display
8 / 16 Bit Resolution Adjustable Movement
DMX, RDM, Art-NET, and sACN Protocol Support
Elation's E-FLY™ Internal Wireless DMX Transceiver
IP65 5pin DMX In/Out
IP65 RJ45 ethernet In/Out
IP65 Locking Power Cable In
With Wired Digital Communication Network

SIZE / WEIGHT

Length: 18.45" (465mm)
Width: 22.5" (571mm)
Vertical Height: 37.1" (805mm)
Center-to-Center Spacing: 26.4" (671mm)
Weight: 84.0 lbs. (38 kg)

ELECTRICAL / THERMAL

AC 100-240V - 50/60Hz
700W Max Power Consumption
-4°F to 113°F (-10°C to 45°C)

APPROVALS / RATINGS

CE | cETLus | IP65



IP65

Specifications and documentation subject to change without notice.



Specifications are subject to change without notice ©Elation Professional 12/08/2023

Elation Professional USA | 6122 S. Eastern Ave. | Los Angeles, CA. 90040
323-582-3322 | 323-832-9142 fax | www.elationlighting.com | info@elationlighting.com

Elation Professional B.V. | Junostraat 2 | 6468 EW Kerkrade, The Netherlands
+31 45 546 85 66 | +31 45 546 85 96 fax | www.elationlighting.eu | info@elationlighting.eu



PROTEUS HYBRID



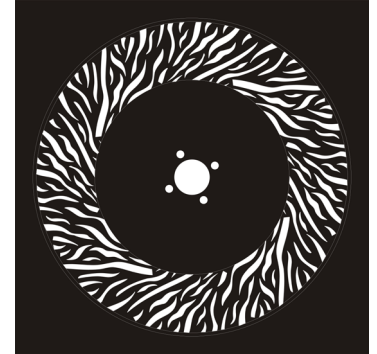
IP65 3-in-1 Hybrid Moving Head

GOBOS | COLORS

INTERCHANGEABLE ROTATING GOBO WHEEL 1



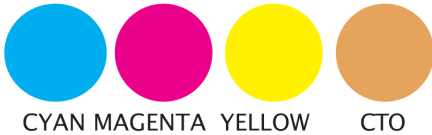
ANIMATION WHEEL



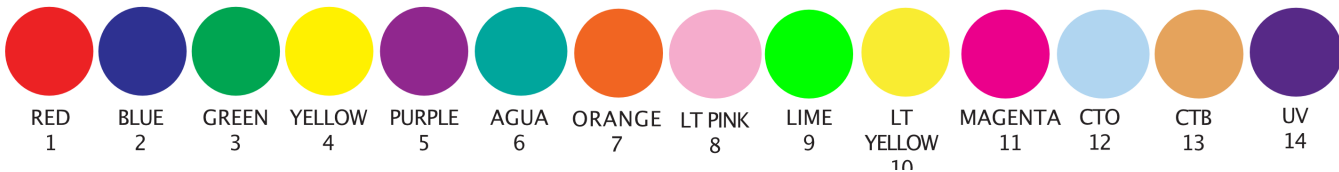
STATIC FIXED GOBO WHEEL 2



COLOR FLAGS



COLOR WHEEL



ORDERING INFORMATION

PRH021	Proteus Hybrid
TRIGGER CLAMP	Heavy Duty Wrap Around Hook Style Clamp
ELF001	E-FLY Wireless DMX Transceiver
DRCPROHYBRID1	Single Road Case for Proteus Hybrid
DRCPROHYBX2W	Dual Road Case for Proteus Hybrid
IP TESTER	IP Fixture Vacuum and Pressure Leak Tester



Specifications are subject to change without notice ©Elation Professional 12/08/2023

Elation Professional USA | 6122 S. Eastern Ave. | Los Angeles, CA. 90040
323-582-3322 | 323-832-9142 fax | www.elationlighting.com | info@elationlighting.com

Elation Professional B.V. | Junostraat 2 | 6468 EW Kerkrade, The Netherlands
+31 45 546 85 66 | +31 45 546 85 96 fax | www.elationlighting.eu | info@elationlighting.eu



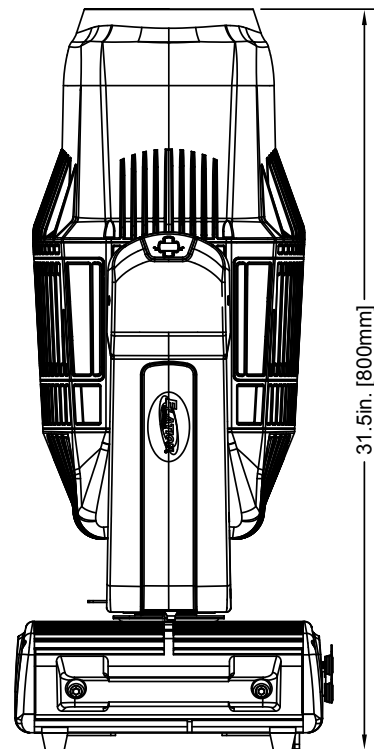
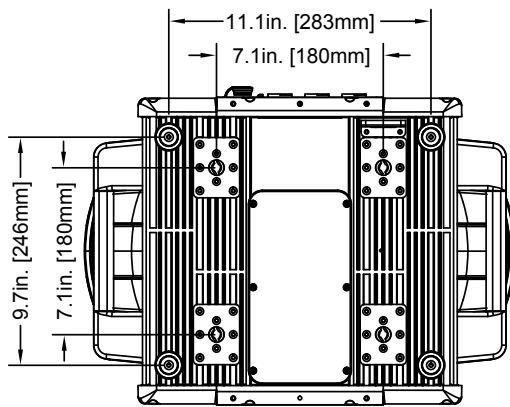
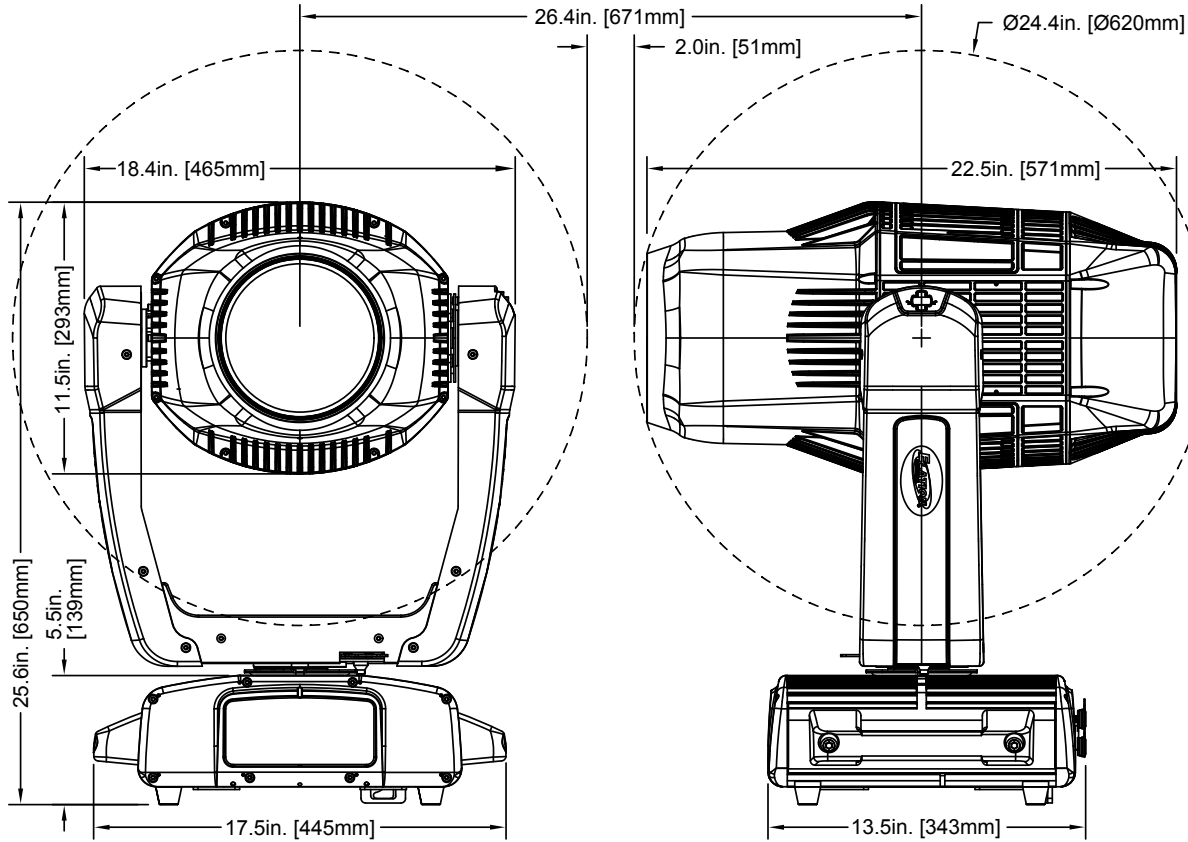


PROTEUS HYBRID



IP65 3-in-1 Hybrid Moving Head

UNIT DIMENSIONS



Specifications are subject to change without notice ©Elation Professional 12/08/2023

Elation Professional USA | 6122 S. Eastern Ave. | Los Angeles, CA. 90040
323-582-3322 | 323-832-9142 fax | www.elationlighting.com | info@elationlighting.com

Elation Professional B.V. | Junostraat 2 | 6468 EW Kerkrade, The Netherlands
+31 45 546 85 66 | +31 45 546 85 96 fax | www.elationlighting.eu | info@elationlighting.eu