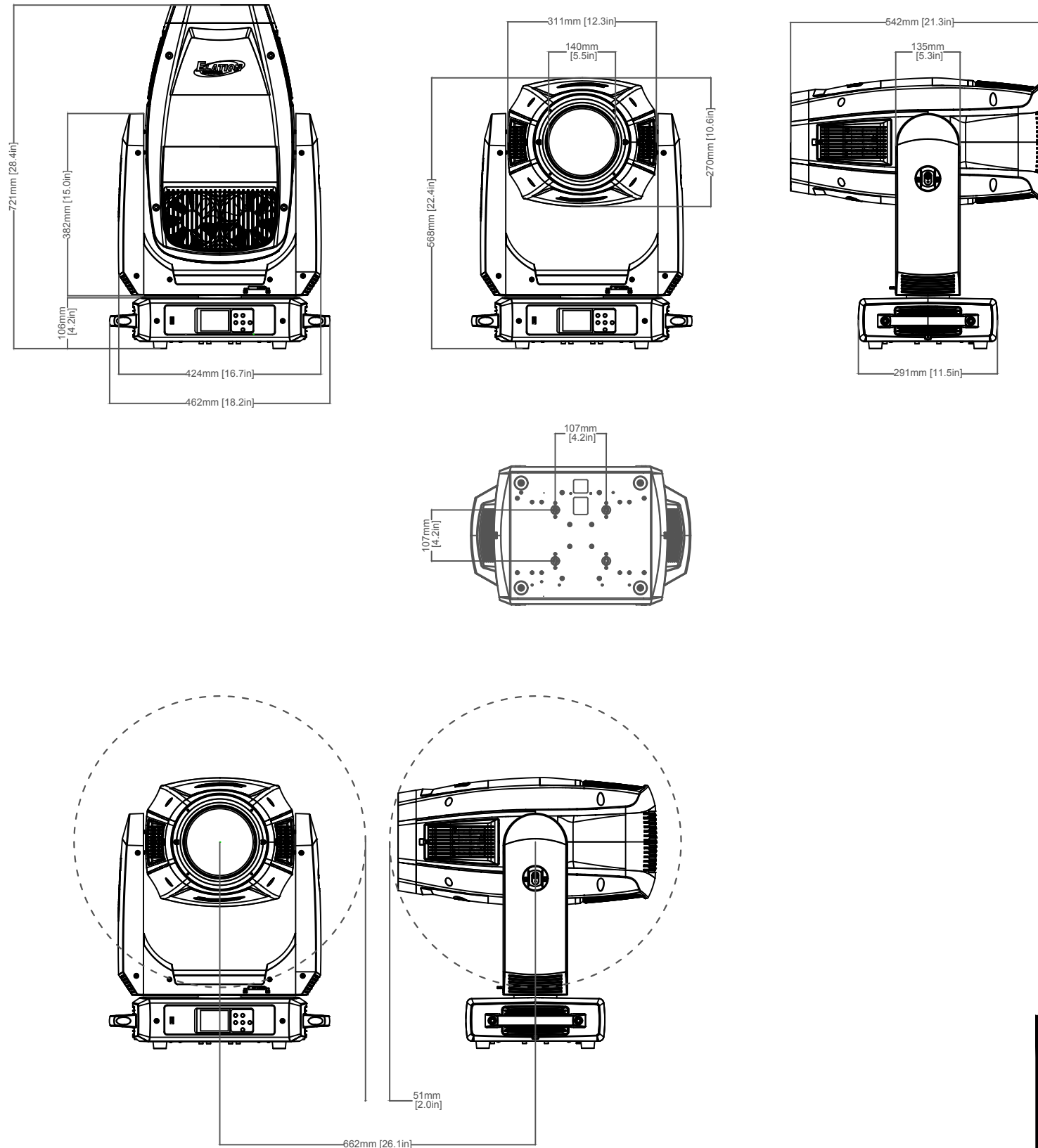


©ELATION all rights reserved. Information contained within this drawing is proprietary and confidential. Any reproduction and/or distribution of any part of this drawing without the written consent of Elation Professional is strictly prohibited. Diagrams and/or measurements herein subject to change without notice.



TITLE: Elation Fuze Max Spot (fixture only)		DATE: 09-Mar-2023	
SCALE: NONE	TOL: ±	.XX(.X) -	.XXX(.XX) -
		ANGLE: -	