



# DTW BLINDER 700 IP™



The IP65 rated **DTW Blinder 700 IP™** features (4) high powered 175W 2-in-1 Warm White/Amber COB LEDs, a wide 67° beam angle, full color temperature range control plus independent Dim-to-Warm channel control (1,800K - 3,200K), easily attachable 15° narrow beam filters (included), pixel control, manual adjustable pan focus, variable dimming curve modes, strobe effects, flicker free operation for TV and Film, RDM (Remote Device Management), IP rated DMX and power in/out connections, LCD menu display with 4 touch button control panel, integrated yoke and side mounting brackets, and a multi-voltage universal auto switching power supply (100-250v).

## FEATURES

- IP65 Rated
- Pixel Control
- 67° Wide Beam Angle
- 15° Narrow Beam Filters (included)
- Independent Dim-to-Warm Channel Control (1,800K - 3,200K)
- RDM (Remote Device Management)
- Rugged Die-Cast Aluminum Exterior
- Flicker Free Operation for TV and FILM



ELATION | DTW BLINDER 700 IP™ | Specification Sheet

Specifications are subject to change without notice ©Elation Professional 03/08/2022

**PRODUCT SPECIFICATIONS**

**SOURCE**

(4) 175W 2-in-1 Warm White/Amber COB LEDs  
50,000 Hour Average LED Life\*

\*LED Life may vary depending on several factors including but not limited to:  
Environmental Conditions, Power/Voltage, Usage Patterns (On-Off Cycling), Control, and Dimming.

**PHOTOMETRIC DATA**

7,719 LUX 717 FC (15° @ 9.8 ft / 3m w/Fresnel lens)  
1,104 LUX 94 FC (67° @ 9.8 ft / 3m w/No Fresnel lens)

**EFFECTS**

Pixel Control  
15° Narrow Beam Angle with included Fresnel Lens  
67° Wide Beam Angle with Fresnel Lens Removed  
Unique Dim-to-Warm Channel Control (1,800K - 3,200K)  
Independent Dimming of Each COB LED Module  
Electronic Strobe and Variable Dimming Curves

**COLOR**

Warm White / Amber

**CONTROL / CONNECTIONS**

(9) DMX Channel Modes (13 Total Channels)  
RDM (Remote Device Management)  
4 Button Control Panel and LCD Menu Display  
IP Rated 5pin DMX In/Out  
Power In/Out  
With Wired Digital Communication Network

**SIZE / WEIGHT**

Length: 15.7" (400mm)  
Width: 9.7 (244mm)  
Horizontal Height: 16.1" (410mm)  
Weight: 28.0 lbs. (12.7 kg)

**ELECTRICAL / THERMAL**

AC 100-240V - 50/60Hz  
680W Max Power Consumption  
Multiple Unit Power Linking  
5°F to 113°F (-15°C to 45°C)

**APPROVALS / RATINGS**

CE | cETLus | IP65

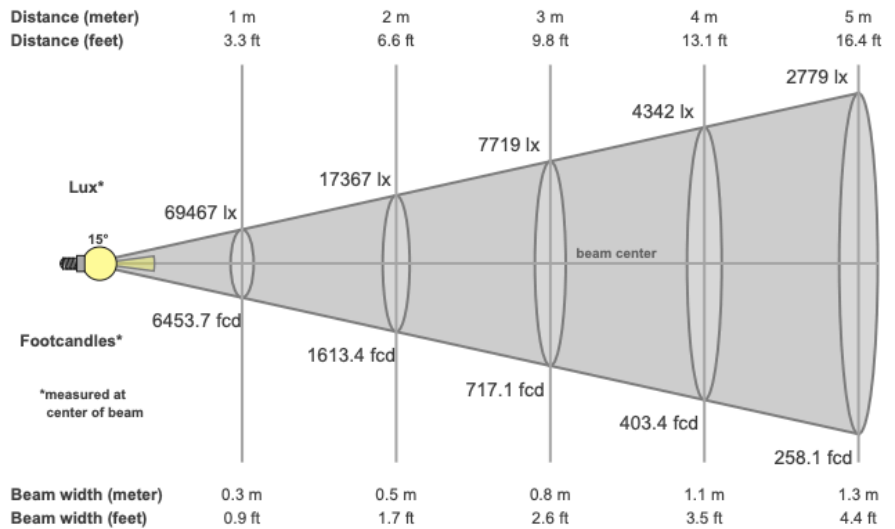


**OPTIONAL ACCESSORIES**

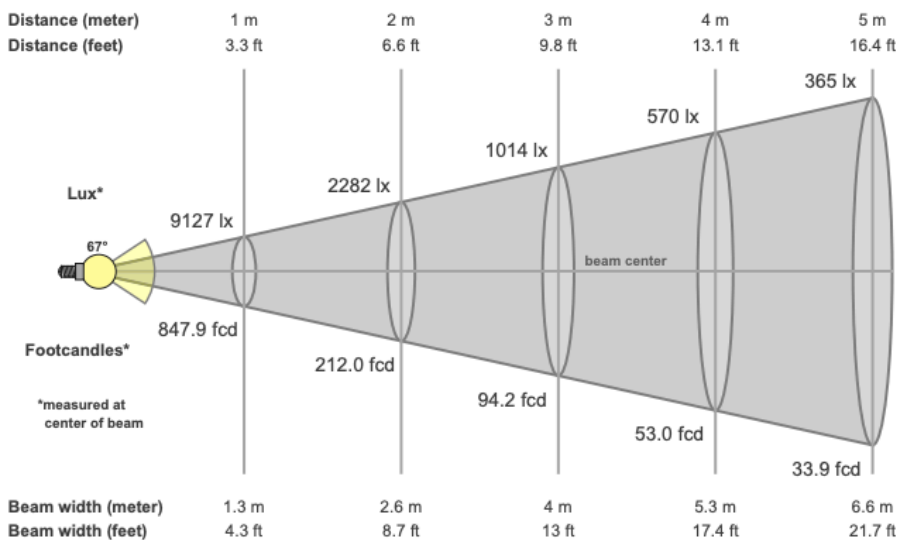
| ORDER CODE   | ITEM                               |
|--------------|------------------------------------|
| DTW700       | DTW Blinder 700 IP                 |
| NARROW CLAMP | PRO 2" Wrap Around Clamp           |
| NEU088       | 3 ft. (1m) Power Link Cable        |
|              | Additional cable lengths available |

**PHOTOMETRIC DATA**

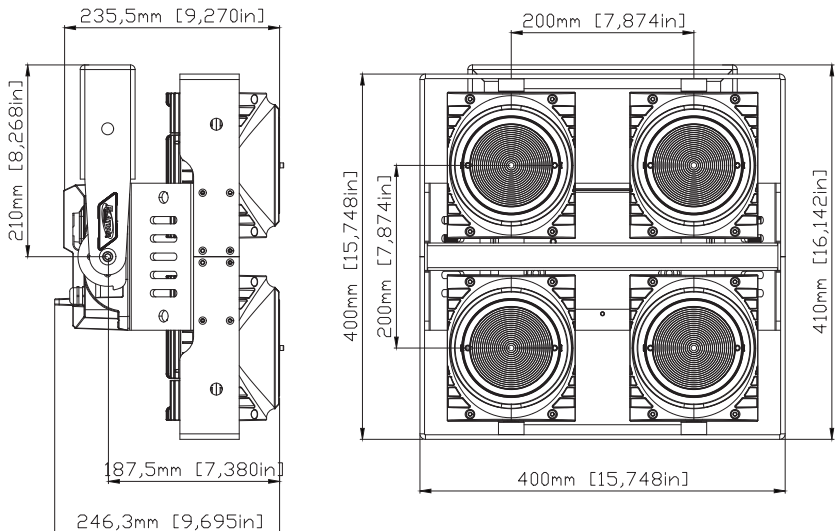
\*with included Fresnel lens attached



\*NO Fresnel lens attached



**DIMENSIONAL DIAGRAMS**



Specifications are subject to change without notice ©Elation Professional 03/08/2022

Elation Professional USA | 6122 S. Eastern Ave. | Los Angeles, CA. 90040  
323-582-3322 | 323-832-9142 fax | www.elationlighting.com | info@elationlighting.com

Elation Professional B.V. | Junostraat 2 | 6468 EW Kerkrade, The Netherlands  
+31 45 546 85 66 | +31 45 546 85 96 fax | www.elationlighting.eu | info@elationlighting.eu