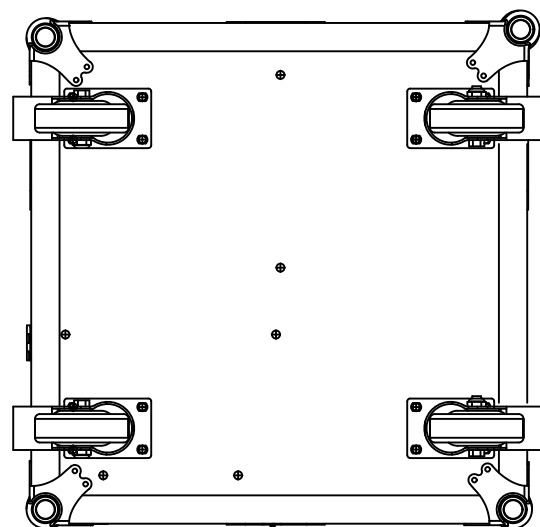
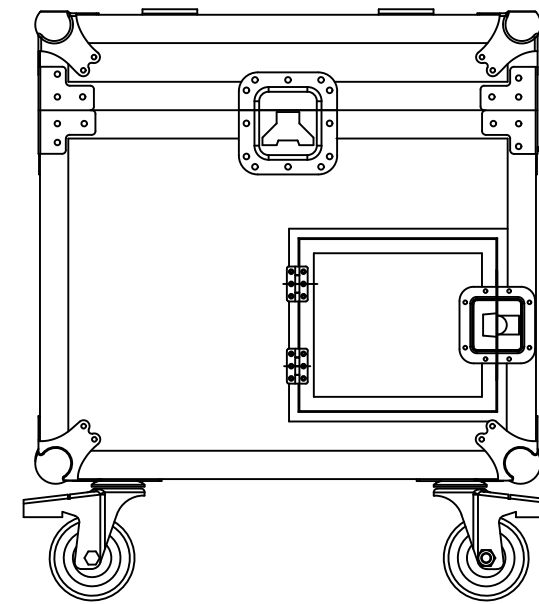
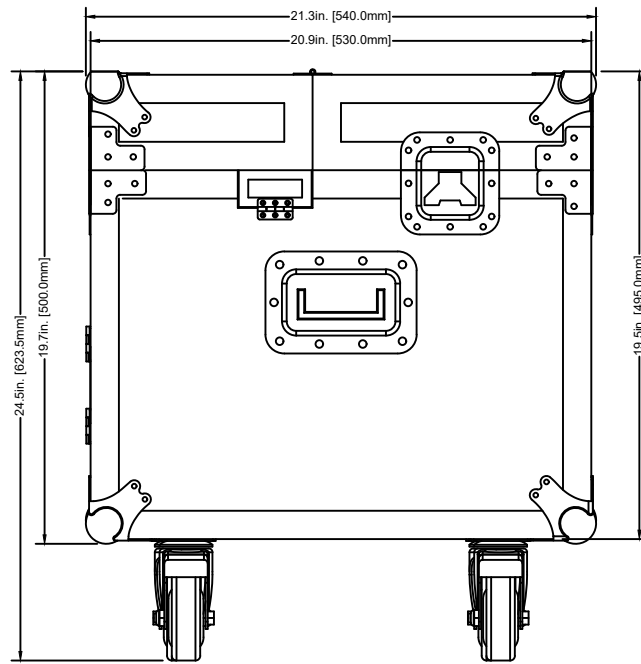
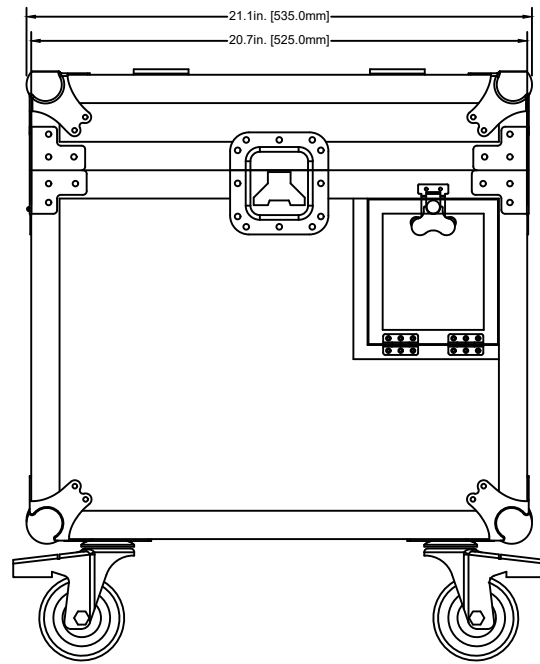
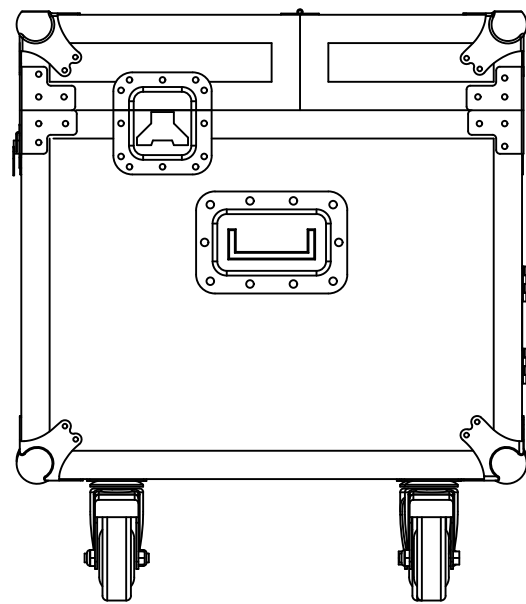
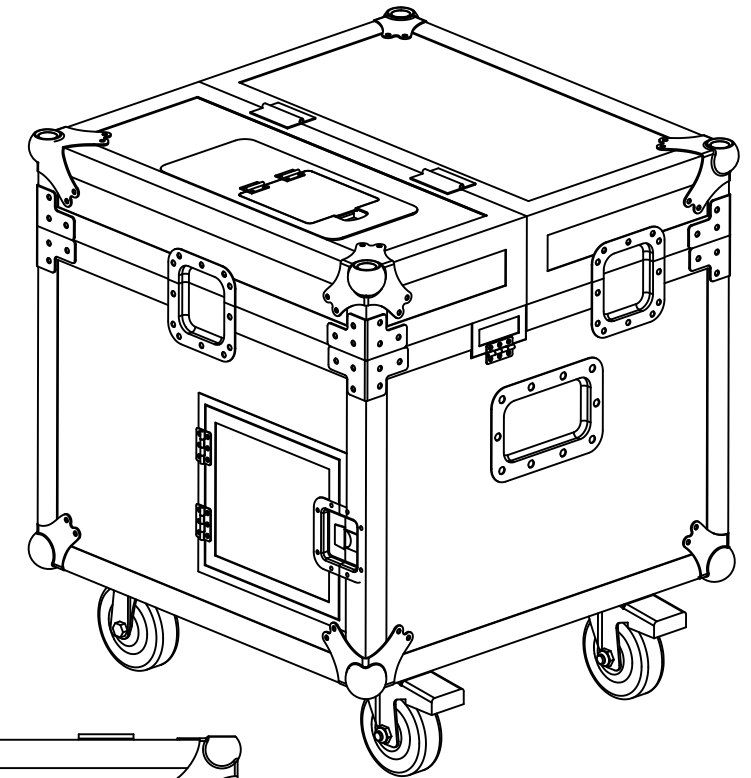
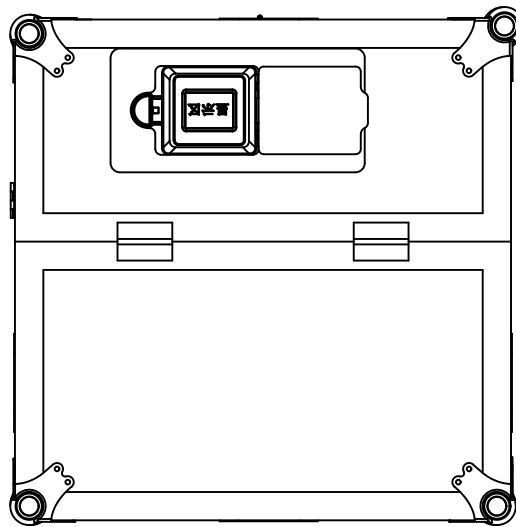
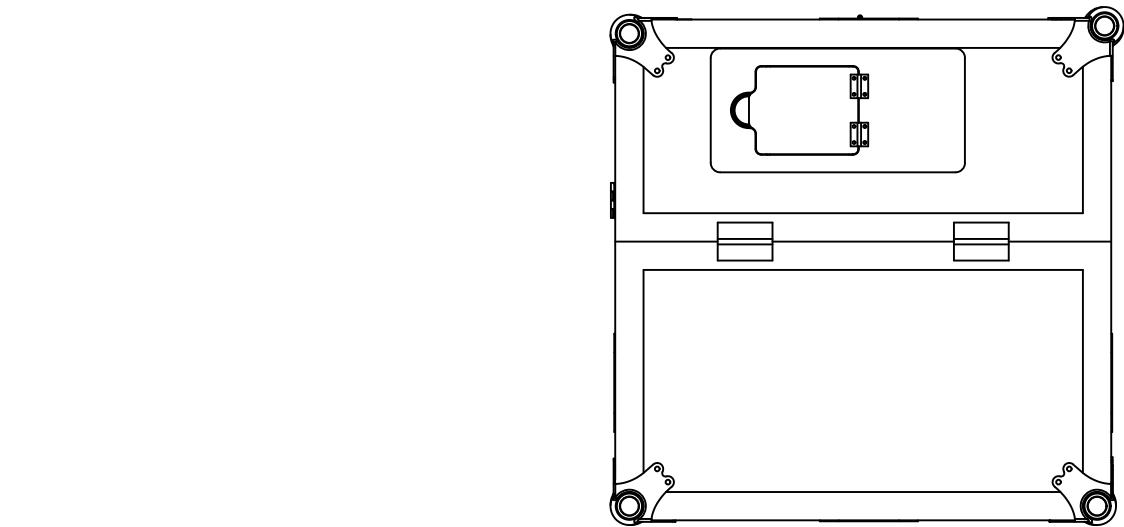


©MAGMATIC all rights reserved. Information contained within this drawing is proprietary and confidential. Any reproduction and/or distribution of any part of this drawing without the written consent of Magmatic is strictly prohibited. Diagrams and/or measurements herein subject to change without notice.



MAGMATIC

TITLE:		MAGMATIC CRISP MAX		DATE:	210628
SCALE:	TOL:	.XX(.X)	.XXX(.XX)	ANGLE:	
NONE	±	-	-	-	