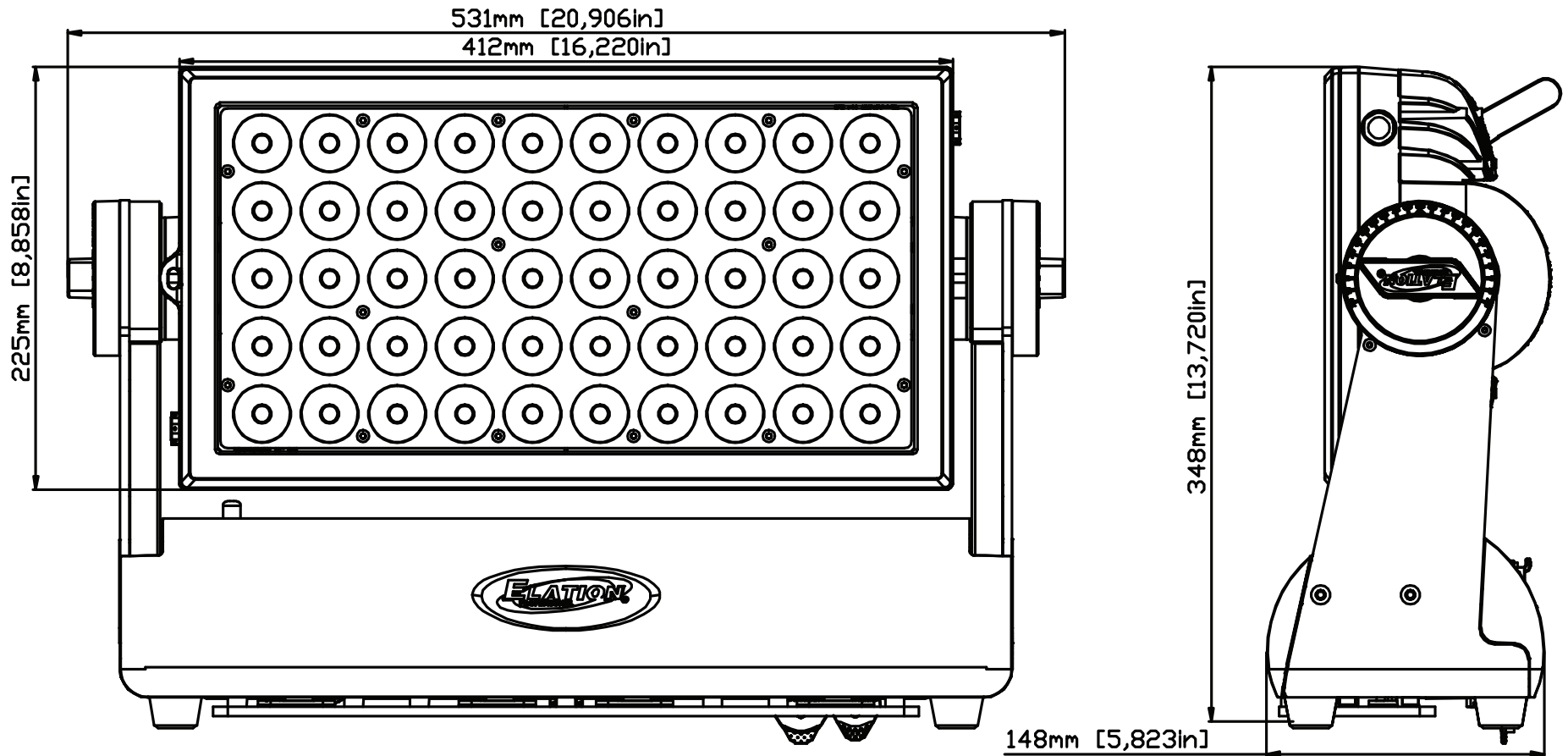


PALADIN PANEL™

2D CAD Dimensional Drawings



*DRAWINGS NOT TO SCALE