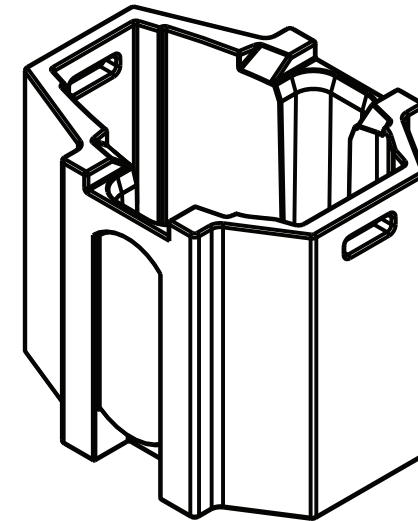
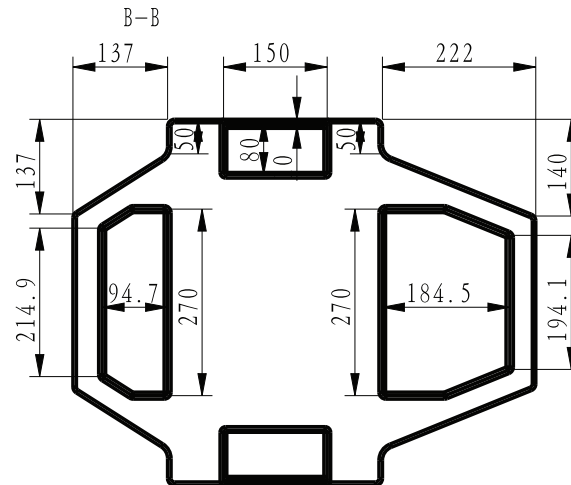
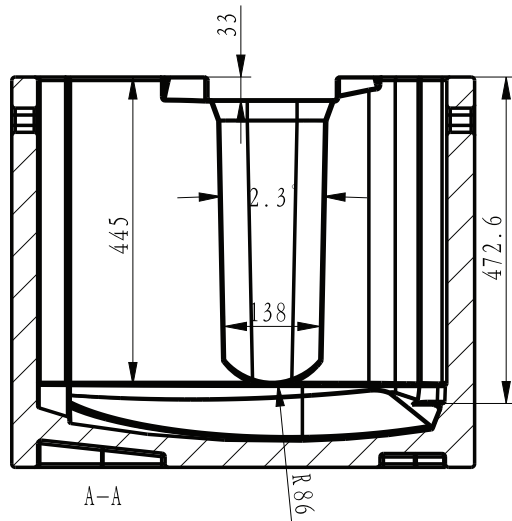
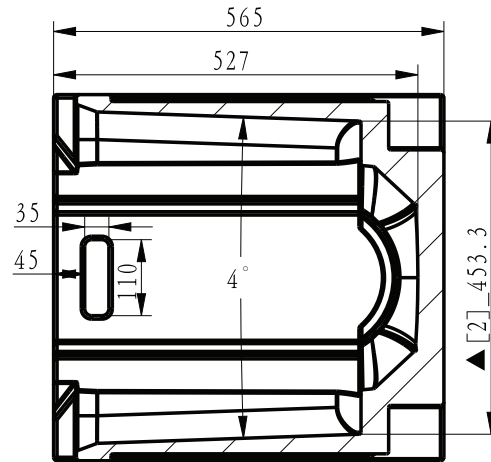
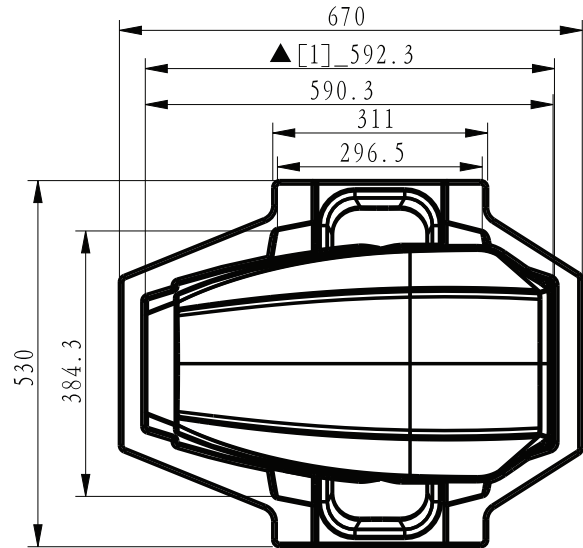


# ARTISTE MONET™

SKU# EAM990

FIL (Foam In Lay) 2D CAD Drawings

Weight: 94.0 lbs. (42.6kg)



0.080

All dimensions in (mm) ©ELATION PROFESSIONAL all rights reserved. Any reproduction and/or distribution of any part of this drawing without the written consent by Elation Professional is strictly prohibited. Diagrams and/or measurements herein subject to change without notice.