

IP GOBO ROTATOR



The The IP GOBO ROTATOR is an IP65 rated B-Size gobo rotator designed exclusively for the Elation WW /CW Profile HP IP ellipsoidal series. Easily installed into the profile fixture, the gobo rotator features bi-directional variable speed counter-rotation, full indexable and slow to fast continuous rotation control via DMX, holds 2 separate gobos for eye catching animation effects, and includes 2 sample metal gobos.

FEATURES

Designed for Elation WW / CW PROFILE HP IP Ellipsoidal Series

Bi-Directional Variable Speed Counter-Rotation

Full Indexable and Slow to Fast Continuous Rotation

DMX Controlled

Supports B-Size (86mm) Gobos

Holds (2) Gobos for Animation Effects

(2) Sample Metal Gobos Included

IP65 Rated



***rotator installed - fixture not included.**

Specifications are subject to change without notice ©Elation Professional 12/11/18

Elation Professional USA | 6122 S. Eastern Ave. | Los Angeles, CA. 90040
323-582-3322 | 323-832-9142 fax | www.elationlighting.com | info@elationlighting.com

Elation Professional B.V. | Junostraat 2 | 6468 EW Kerkrade, The Netherlands
+31 45 546 85 66 | +31 45 546 85 96 fax | www.elationlighting.eu | info@elationlighting.eu

PRODUCT SPECIFICATIONS

GOBO SIZE

B-Size OD 86mm | 64.5mm ID
 Holds (2) Gobos for Animation Effects

CONTROL / CONNECTIONS

DMX Control (Indexing and Slow to Fast Gobo Rotation)
 5pin Power/Data (rotator to fixture linking cable included)

SIZE / WEIGHT

Length: 4.8" (121mm)
 Width: 3.5" (89.7mm)
 Vertical Height: 12.0" (306mm)
 Weight: 2.0 lbs. (0.9 kg)

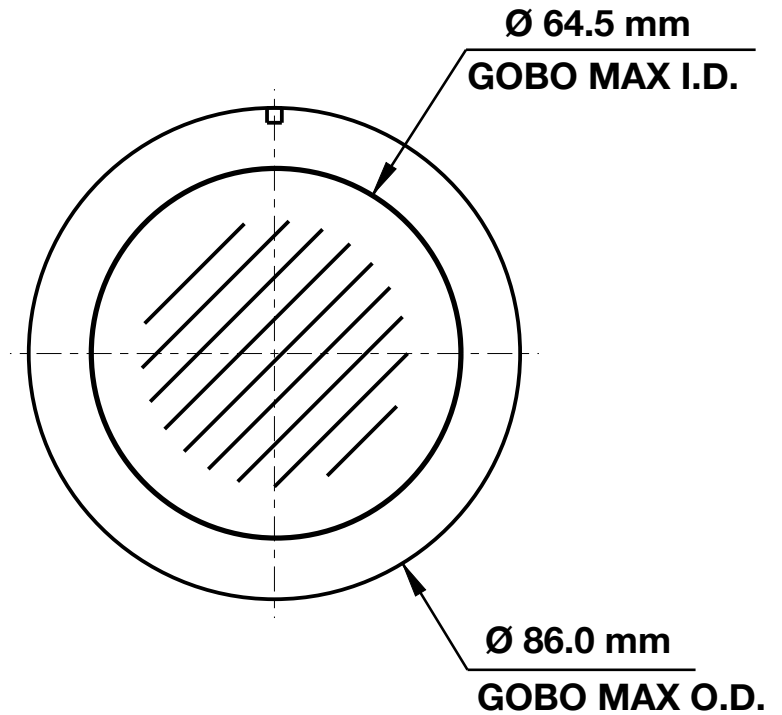
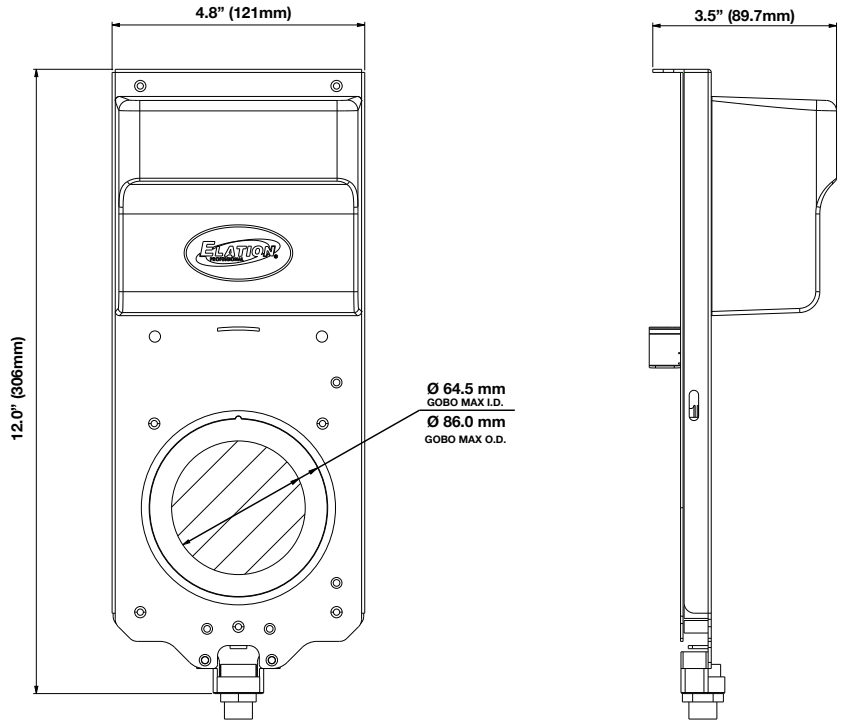
APPROVALS / RATINGS



ORDERING INFORMATION

IPR701	IP GOBO ROTATOR
--------	-----------------

DIMENSIONAL DIAGRAMS



Specifications are subject to change without notice ©Elation Professional 12/11/18

Elation Professional USA | 6122 S. Eastern Ave. | Los Angeles, CA. 90040
 323-582-3322 | 323-832-9142 fax | www.elationlighting.com | info@elationlighting.com

Elation Professional B.V. | Junostraat 2 | 6468 EW Kerkrade, The Netherlands
 +31 45 546 85 66 | +31 45 546 85 96 fax | www.elationlighting.eu | info@elationlighting.eu