



ELAR EXTQW FLOOD HP™

SKU# ELA973

FEATURES

9 x 5W Quad Color (RGBW) LEDs

25° Beam Angle

IP65 Rated

Die-Cast Aluminum Housing / Tempered Glass

Variable Color & Strobe Effects

8 DMX Channel Modes

Flicker Free Operation for TV and FILM

56W Max Power Consumption

Power Link Multiple Units

Integrated Rigging Yoke

IR Remote Programmable



The IP65 Rated ELAR EXTQW FLOOD HP™ features (9) 5W QUAD RGBW Color LEDs, a 25° beam angle, variable color and strobe effects, 8 DMX channel modes, flicker free operation for TV and FILM, 3pin in/out DMX and 4pin power in/out connections, integrated rigging yoke, linkable power for up to (10) units at 120V and (20) units at 240V, 56W max power consumption, and a multi-voltage universal auto switching power supply (100-240v).



PRODUCT SPECIFICATIONS

FEATURES

25° Beam Angle
 IP65 Rated
 Die-Cast Aluminum Housing / Tempered Glass
 IR Remote Programmable
 Flicker Free Operation for TV and FILM

SOURCE

9 x 5W QUAD Color (RGBW) LEDs
 50,000 Hour Average Life

PHOTOMETRIC DATA

1736 LUX (161 FC) @9.8 ft. (3m) 25° Full ON

EFFECTS

Color + Variable Strobe Macros
 Electronic Dimming: 0% - 100%

COLOR

RGBW (Red, Green, Blue, White)

CONTROL / CONNECTIONS

8 DMX Channel Modes (1/2/3/4/5/6/7/8)
 3pin DMX In/Out
 4pin Power In/Out
 Power Link Multiple Units (10) at 120V (20) at 240V

SIZE / WEIGHT

Length: 11.8" (298mm)
 Width: 8.3" (210mm)
 Vertical Height: 9.8" (249mm)
 Weight: 9.9 lbs. (4.5kg)

ELECTRICAL

AC 100-240V - 50/60Hz
 56W Max Power Consumption

APPROVALS / RATINGS

IP65 Rated

INSTALLATION

Rigging: Integrated Yoke
 Working Position: Any (360°)

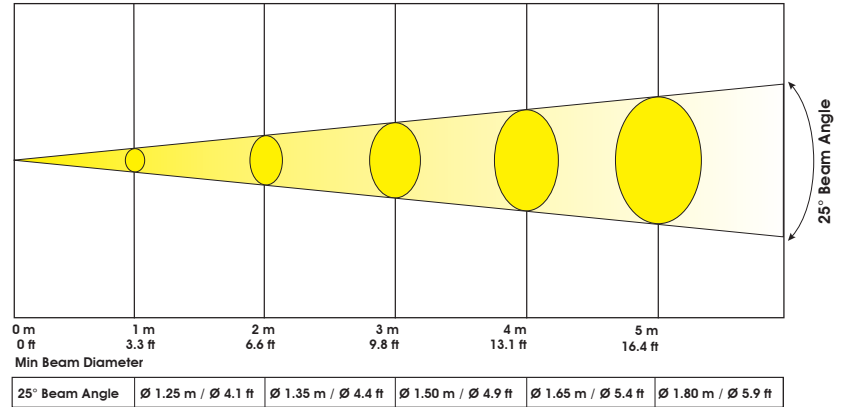
INCLUDED ITEMS

(1) 6.5 ft. (2m) 4pin Female to Edison Power Cable (1)
 5.5 ft. (1.7m) 3pin Male to 3pin Female DMX Cable (1)
 5.5 ft. (1.7m) 3pin Female to 3pin Male DMX Cable (1)
 Bag of DMX End Caps

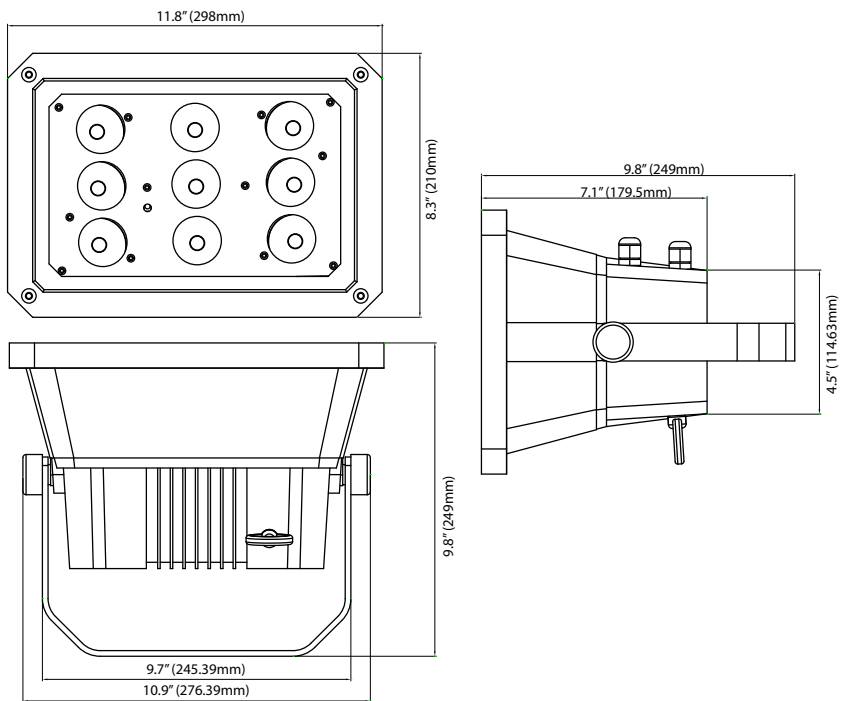
PHOTOMETRIC DATA

RED LEDs	196 FC / 2110 LUX	76 FC / 822 LUX	37 FC / 398 LUX	22 FC / 237 LUX	14 FC / 153 LUX
GREEN LEDs	221 FC / 2380 LUX	884 FC / 884 LUX	39 FC / 421 LUX	22 FC / 240 LUX	14 FC / 155 LUX
BLUE LEDs	230 FC / 2480 LUX	91 FC / 981 LUX	42 FC / 455 LUX	25 FC / 269 LUX	16 FC / 168 LUX
WHITE LEDs	305 FC / 3280 LUX	116 FC / 1244 LUX	55 FC / 592 LUX	33 FC / 350 LUX	20 FC / 217 LUX
FULL ON	920 FC / 9900 LUX	342 FC / 3680 LUX	161 FC / 1736 LUX	94 FC / 1009 LUX	61 FC / 653 LUX

LUX x 0.0929 = FC



DIMENSIONAL DIAGRAM



OPTIONAL ACCESSORIES



TRIGGER CLAMP
 Heavy Duty
 Wrap Around
 Hook Style
 Clamp



Data / Power Ext Link Cables
ELA958/3MPEC
 3m (4pin) Power Ext Link Cable
ELAR 3C-1M
 1m (3pin) Signal Ext Link Cable
ELAR 3C-5M
 5m (3pin) Signal Ext Link Cable



ELAR WR II
 Infrared Wireless Remote Controller
 Required To Program Fixture
***Not Included Purchased Separately**



Specifications are subject to change without notice ©Elation Professional

Elation Professional USA | 6122 S. Eastern Ave. | Los Angeles, CA. 90040
 323-582-3322 | 323-832-9142 fax | www.elationlighting.com | info@elationlighting.com

Elation Professional B.V. | Junostraat 2 | 6468 EW Kerkrade, Netherlands
 +31 45 546 85 66 | +31 45 546 85 96 fax | www.elationlighting.eu | info@elationlighting.eu